

SPECIAL NOTE: INSTALL 2X6-44 15/16", DROP DR NAILER AFTER TRUSSES AND RT-10 CLIPS ARE APPLIED BUT BEFORE ROOF STEEL IS APPLIED NORTH SIDE ONLY W/ DROP DRS ALSO SPACE 1/8" TO 1/4" BETWEEN DROP DRS DOWN LENGTH OF BUILDING, F.C. LAST DOOR TO LENGTH

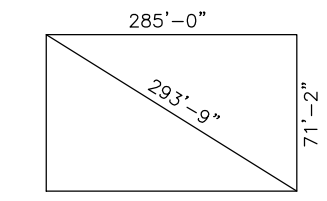
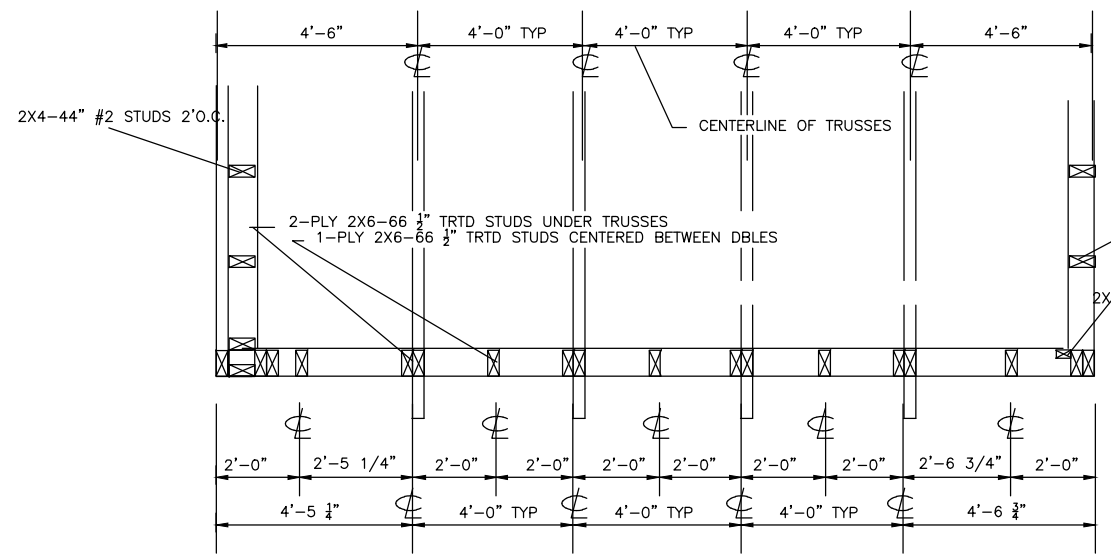
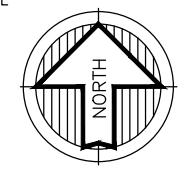
FLOOR PLAN
J12074 SCALE: NONE

DESIGN OF ROOF, ATTIC AND ALL OTHER VENTILATION IS THE RESPONSIBILITY OF OTHERS

LESTER BUILDING SYSTEMS IS RESPONSIBLE FOR THE STRUCTURAL DESIGN OF THE BUILDING ONLY. LESTER IS NOT RESPONSIBLE FOR ANY LIFE SAFETY REQUIREMENTS PERTAINING TO THE IBC-2006 BUILDING CODE

F.C. = FIELD CUT
 BLDG COLORS: ALL BONE WHITE W/EARTH BROWN ROOF, RIDGE VENT, RIDGECAP,RAKE AND EAVE TRIMS, W/ SANDSTONE GABLE STEEL, ALL OTHER TRIM BONE WHITE
 NOTE: 13 1/2" TOTAL EAVE OVERHANGS W/ 24" WD POULTRY WIRE AND #455 SNOW DEFLECTOR TRIM SOUTH or EAST SIDE W/ #521 EAVE TRIM 24" WD POULTRY WIRE W/ PLASTIC DROP DRS NORTH or WEST SIDE W/ #520-S SPECIAL EAVE TRIM,
 DOUBLE RUN #039 BLACK INSULATION STOP EA SIDE
 AN INTERMEDIATE TRUSS MUST SET OVER A VERT STUD
 FOR SIDEWALL SILLS, TOP PLATES AND BEVEL BDS, START W/ 1/2 OF 10' NOMINAL PC THAN 143 15/16" PRECUT, 23 RUNS, END W/ 1/2 -10' PC F.C. STAGGER TOP PLATE SPLICES
 48"x50' LONG FANFOLD UNDER ROOF STEEL EAVES BOTH SIDES, SEE SIDE SECTION
 SEE BUILDERS PLANS FOR MORE INFO ON FANS & INLETS

DESIGNATES TO RUN CEILING MATRL LEVEL TO SIDES NOT W/ KNEE BRACE SLOPE

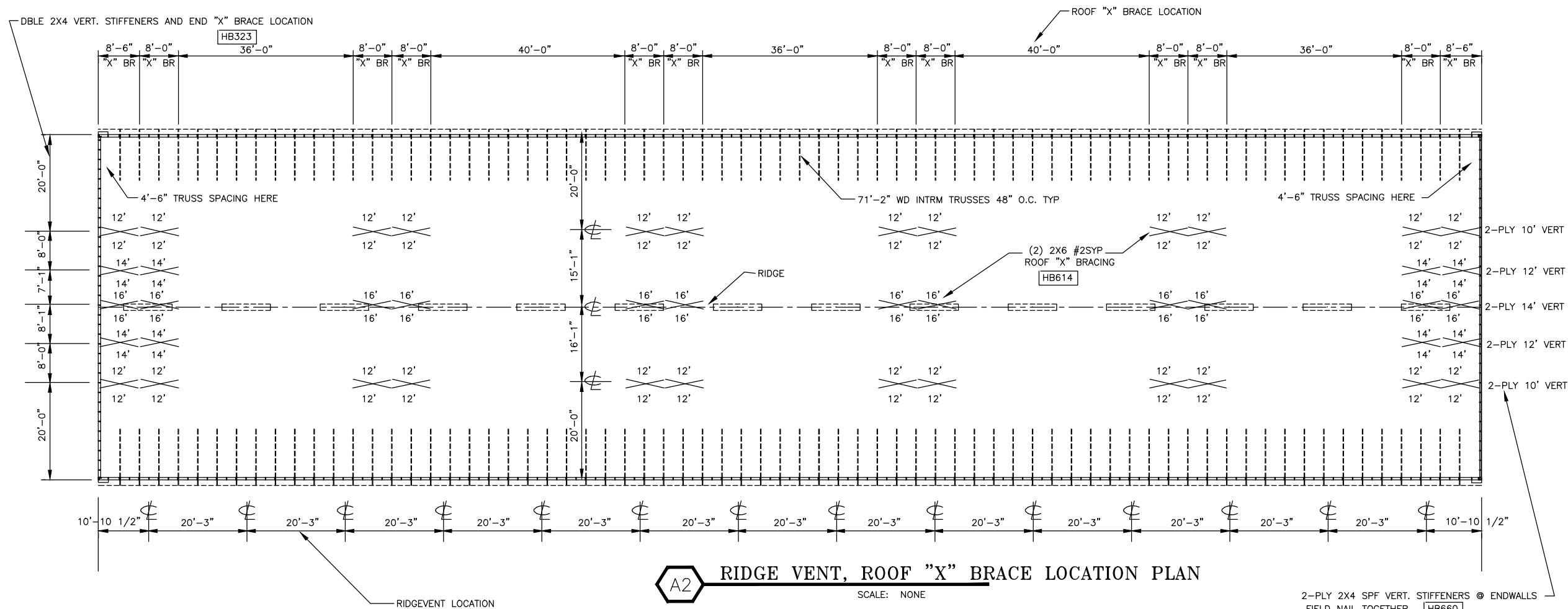


BASIC BUILDING SIZE

DIMENSIONS ARE BASED ON LAYOUT OF MASONLINE PERIMETER (NOT TO SCALE!)

I HEREBY CERTIFY THAT THIS ENGINEERING DOCUMENT WAS PREPARED BY ME OR UNDER MY DIRECT PERSONAL SUPERVISION AND THAT I AM A DULY LICENSED PROFESSIONAL ENGINEER UNDER THE LAWS OF THE STATE OF IOWA.

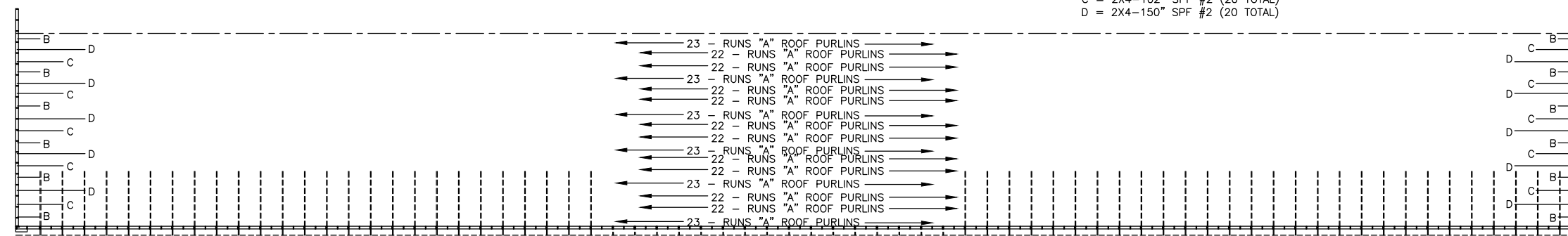
THEODORE HELMINK
 DATE _____ LICENSE #18339
 MY LICENSE RENEWAL DATE IS DECEMBER 31, 2012
 DA007 THEODORE HELMINK IOWA ENG STAMP FULL 384 R1



A2 RIDGE VENT, ROOF "X" BRACE LOCATION PLAN
SCALE: NONE

2-PLY 2X4 SPF VERT. STIFFENERS @ ENDWALLS
FIELD NAIL TOGETHER HB660

- ROOF PURLIN LENGTHS**
- A = 2X4-143 1/2" SPF #2 (716 TOTAL)
 - B = 2X4-54" SPF #2 (24 TOTAL)
 - C = 2X4-102" SPF #2 (20 TOTAL)
 - D = 2X4-150" SPF #2 (20 TOTAL)



B2 ROOF PURLIN LAYOUT PLAN
SCALE: NONE

I HEREBY CERTIFY THAT THIS ENGINEERING DOCUMENT WAS PREPARED BY ME OR UNDER MY DIRECT PERSONAL SUPERVISION AND THAT I AM A DULY LICENSED PROFESSIONAL ENGINEER UNDER THE LAWS OF THE STATE OF IOWA.

THEODORE HELMINK

DATE _____ LICENSE #18339

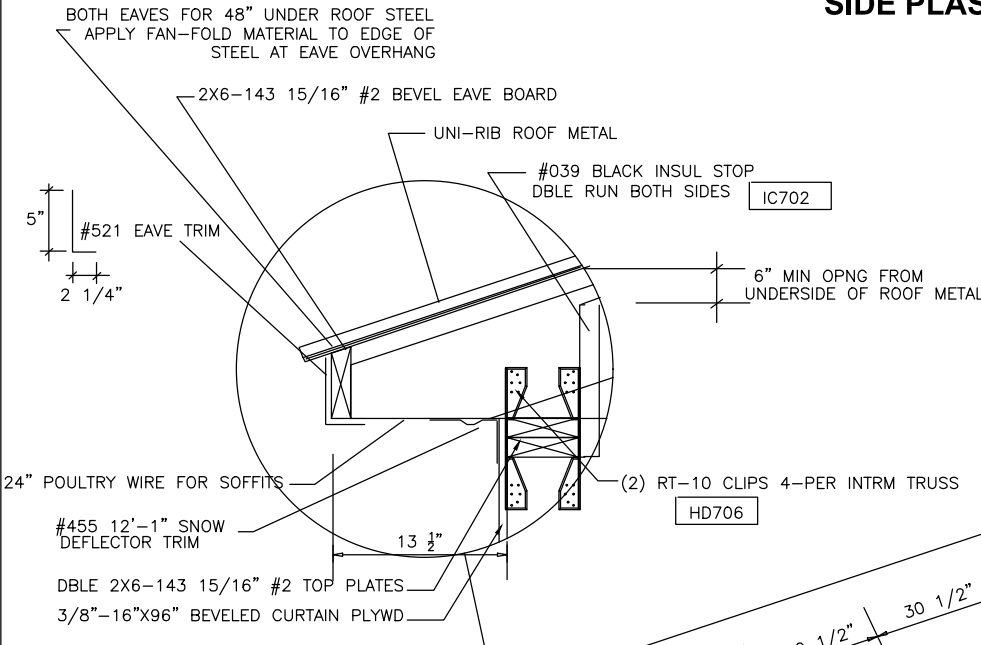
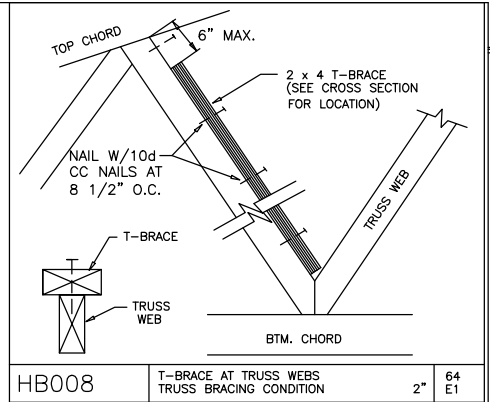
MY LICENSE RENEWAL DATE IS DECEMBER 31, 2012

DA007 THEODORE HELMINK IOWA ENG STAMP FULL 384 R1

DATE: 08/20/12
JOB DESCRIPTION: .BRUCE ROOF PLAN
CUSTOMER: TRAVIS SWARTZ/CARGILL 3084-420TH STREET RUSSELL, IA
DEALER: PRECISION STRUCTURES, INC 1204 1ST AVE NORTH WELLMAN, IA
LESTER BUILDINGS
LESTER PRAIRIE, MN 800-238-4412 .EX.5000+
CHARLESTON, IL 866-276-0785.....EX.3100+
CLEARBROOK, VA 866-807-5910.....EX.6000+

SEE PAGE 4, LOWER LEFT, FOR NORTH/WEST SIDE PLASTIC DROP DR SOFFIT

10' LONG RIDGE VENTS- SEE PAGE 2 FOR LAYOUT WITH OUTSIDE RUBBER CLOSURES

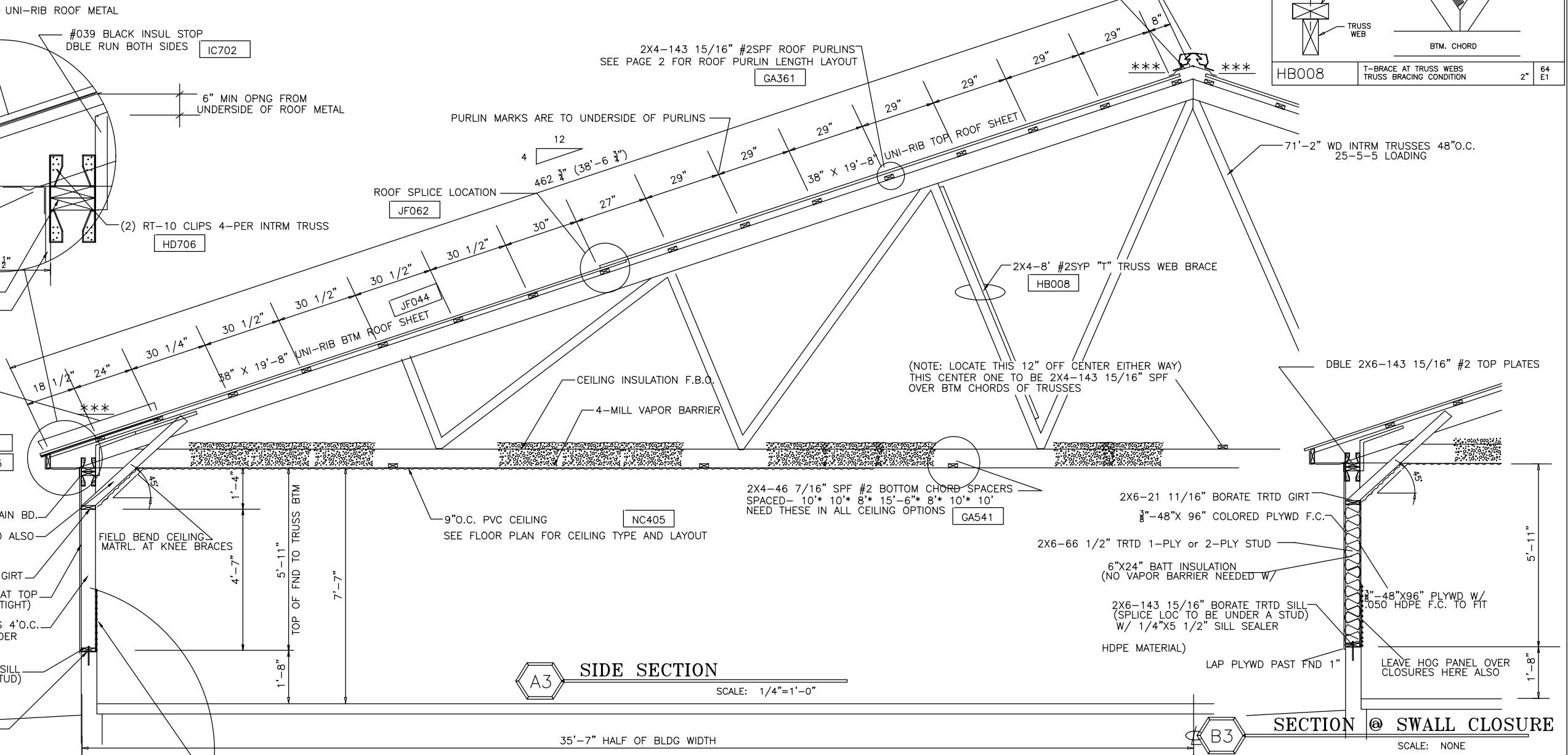


SOUTH or EAST SIDE

BOTH EAVES FOR 48" UNDER ROOF STEEL APPLY FAN-FOLD MATERIAL TO EDGE OF STEEL AT EAVE OVERHANG

NOTE

- 3/8"-16"x96" BEVELED COLORED PLYWD CURTAIN BD.
- 2X4-4' KNEE BRACE AND ALSO USE AT ENDWALLS FOR CEILING BLOCKING
- 2X6-21 11/16" BORATE TRTD GIRT
- 60" POULTRY WIRE (STAPLE AT TOP AND BTM ONLY-STRETCH TIGHT)
- 2X6-66 1/2" BORATE TRTD STUDS 4'O.C. BETWEEN 2-PLY STUDS 4'O.C. UNDER TRUSS LOCATIONS
- 2X6-143 15/16" BORATE TRTD SILL (SPLICE LOC TO BE UNDER A STUD) W/ 1/4"x5 1/2" SILL SEALER
- 3/8"x8" MIN ANCHOR BOLTS 4'O.C. (FURNISHED BY OTHERS)



A3 SIDE SECTION

B3 SECTION @ SWALL CLOSURE

- CEILING INLET OPTIONS SEE--
- BF1200- OA125
 - QUAD-FLOW- OA120
 - PRUDEN- OA200
 - DBLE "L" JD2600- OA202
 - JD1501- OA204
 - AEROTECH-BI-27- OA206

NOTE: (4) 10d GALV NAILS, TOENAILED REQUIRED PER STUD TO SILL

*** **NOTE: THIS DESIGNATES 1st PURLIN UP FROM EAVE & 1st PURLIN DOWN FROM RIDGE BOTH SIDES, TO HAVE (1) 16d NAIL, EXCEPT @ SPLICE LOC, AND (1) 4 1/2" SPIDER SCREW TO EA INTRM.TRUSS, SEE DETAIL GA366**

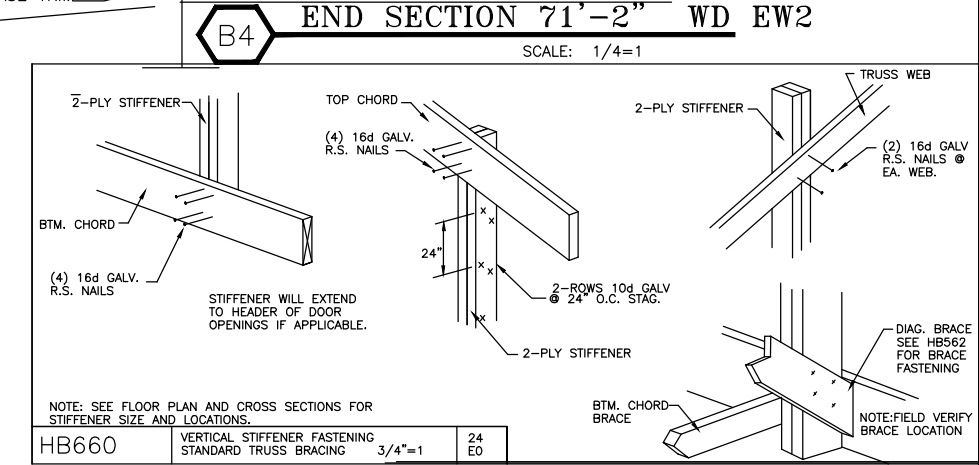
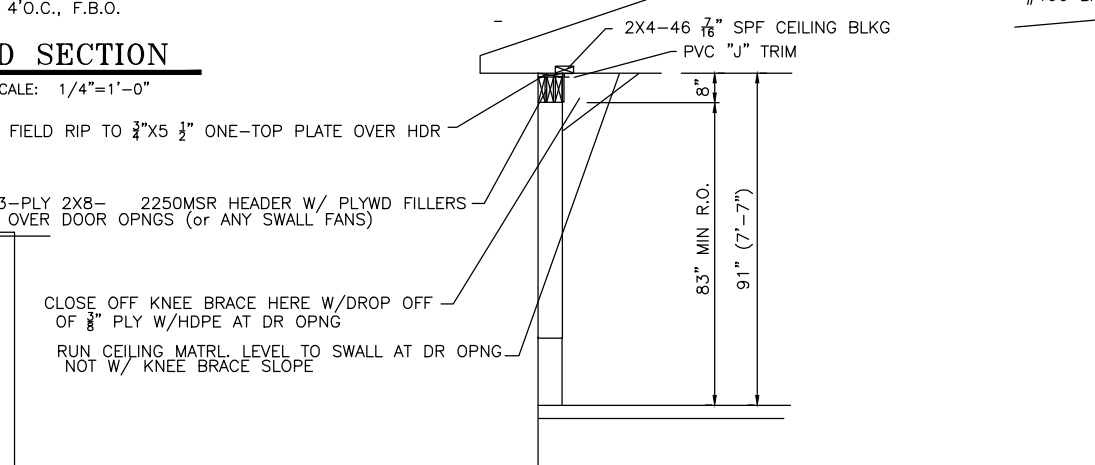
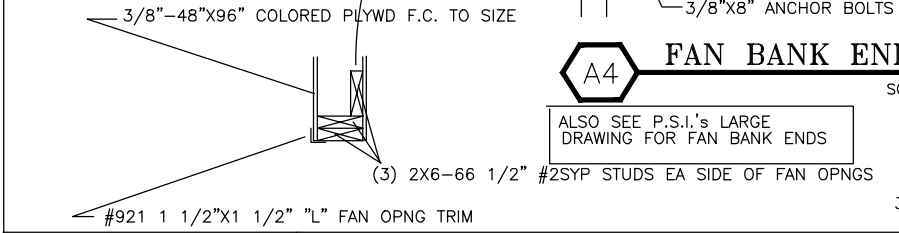
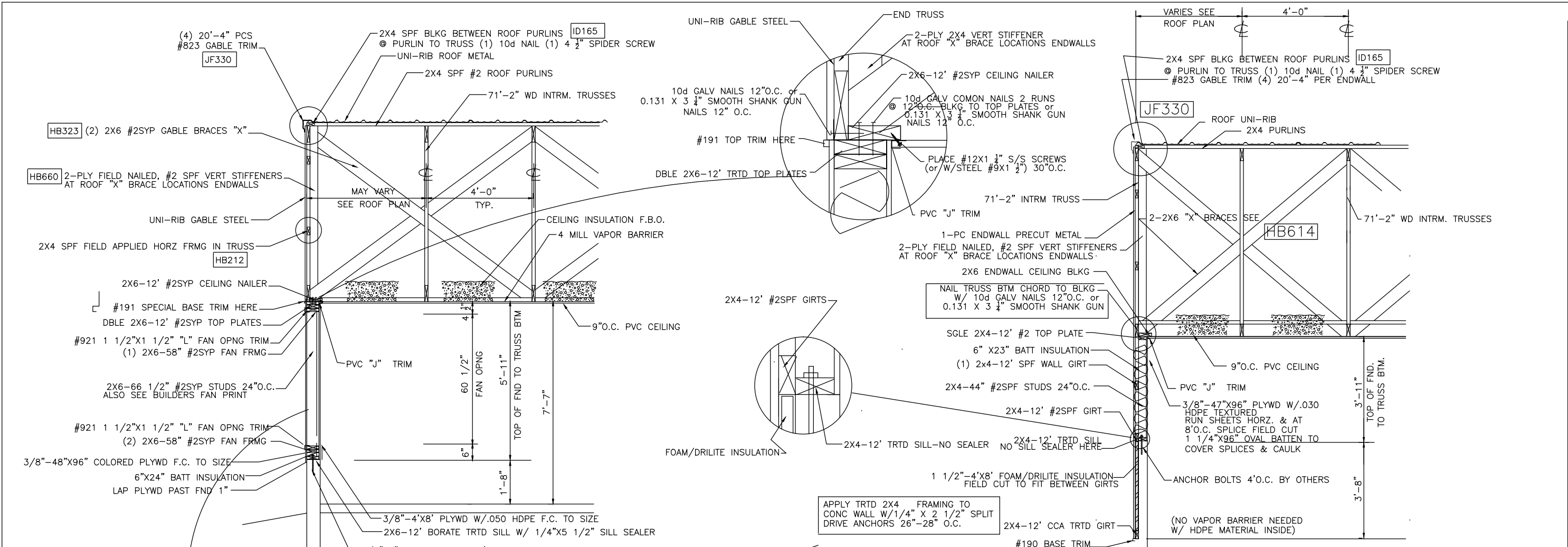
I HEREBY CERTIFY THAT THIS ENGINEERING DOCUMENT WAS PREPARED BY ME OR UNDER MY DIRECT PERSONAL SUPERVISION AND THAT I AM A DULY LICENSED PROFESSIONAL ENGINEER UNDER THE LAWS OF THE STATE OF IOWA.

THEODORE HELMINK

DATE _____ LICENSE #18339

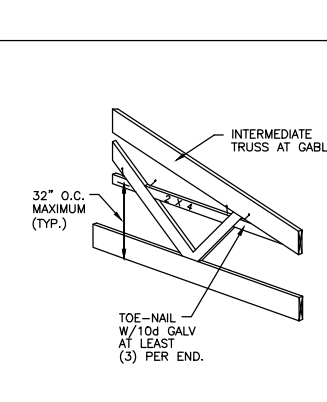
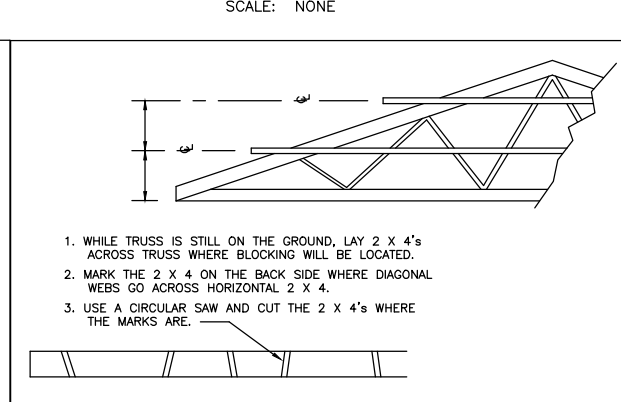
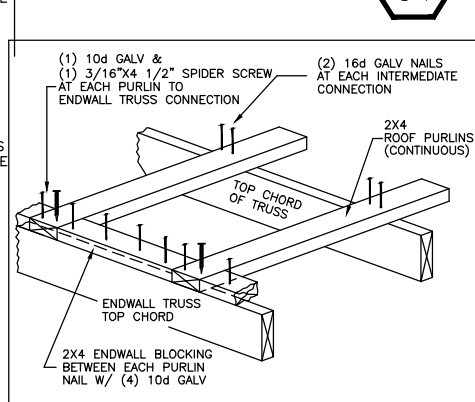
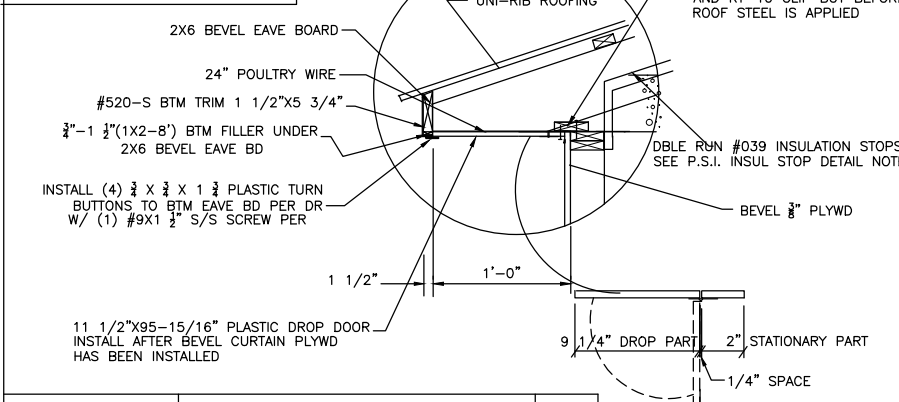
MY LICENSE RENEWAL DATE IS DECEMBER 31, 2012

DATE: 08/20/12
JOB-NUMBER: 218049
SHEET: 3
DRAWN BY: BRUCE
CHKD BY:
REV NO:
JOB DESCRIPTION: 71'-2" WD HOG SIDE SECTION
CUSTOMER: CARGILL PORK LLC
TRAVIS SWARTZ/CARGILL
3084-420TH STREET
RUSSELL, IA
DEALER: PRECISION STRUCTURES, INC
1204 1ST AVE NORTH
WELLMAN, IA
LESTER BUILDINGS
LESTER PRAIRIE, MN 800-238-4412...EX:5000+
CHARLESTON, IL 866-276-0785...EX:3100+
CLEARBROOK, VA 866-807-5910...EX:6000+



*** DROP DOOR INSTALLATION ***
 STAPLE POULTRY WIRE TO BTM. CHORD OF TRUSS
 FASTEN 2X6-45" DROP DR NAILER TO TOP PLATE W/ 10d GALV NAILS 8" O.C.
 FASTEN DROP DR TO BLKG W/ 6d STAINLESS STEEL NAILS 6" O.C.
 APPLY 1/2" X 1/2" FILLER UNDER BEVEL EAVE BD
 INSTALL 4 TURN BUTTONS PER 8" DR TO 1/2" X 1/2" FILLER AFTER EAVE TRIM HAS BEEN INSTALLED

DROP DR OPTION INSTEAD OF AGRI-EAVE DRS
 WHEN SETTING DROP DRS, SPACE BETWEEN DOORS TO BE 1/2" TO 3/4" GAP
 2X6-45" NAILER FOR PLASTIC DROP DR 2" PC TO FASTEN TO INSTALL THIS AFTER TRUSSES AND RT-10 CLIP BUT BEFORE ROOF STEEL IS APPLIED



I HEREBY CERTIFY THAT THIS ENGINEERING DOCUMENT WAS PREPARED BY ME OR UNDER MY DIRECT PERSONAL SUPERVISION AND THAT I AM A DULY LICENSED PROFESSIONAL ENGINEER UNDER THE LAWS OF THE STATE OF IOWA.

THEODORE HELMINK

DATE _____ LICENSE #18339

MY LICENSE RENEWAL DATE IS DECEMBER 31, 2012

DA007 THEODORE HELMINK IOWA ENG STAMP FULL 384 R1

08/20/12 SHEET 4
 JOB-NUMBER 218049
 DRAWN BY: BRUCE
 CHKD BY:
 REV. NO:
 71'-2" WD END SECTIONS
 CUSTOMER: CARGILL PORK, LLC
 TRAVIS SWARTZ/CARGILL
 3084-420TH STREET
 RUSSELL, IA
 DEALER: PRECISION STRUCTURES, INC
 1204 1st AVE NORTH
 WELLMAN, IA
 LESTER BUILDINGS
 LESTER PRAIRIE, MN 800-238-4412 .EX.5000+
 CHARLESTON, IL 866-276-0785.....EX.3100+
 CLEARBROOK, VA 866-807-5910.....EX.6000+